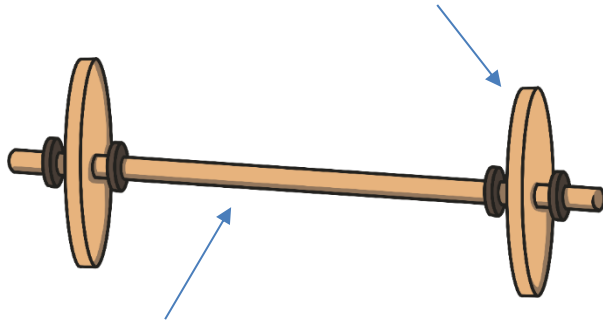
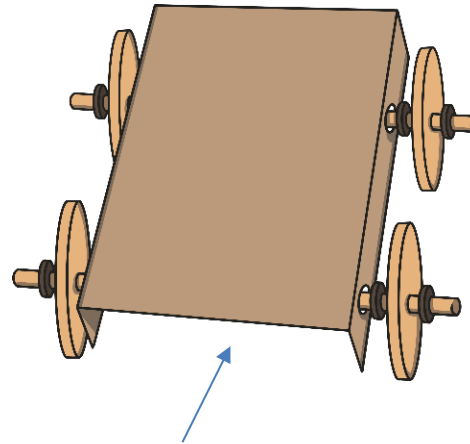


DT: Mechanisms (toys and cars) – Spring 2

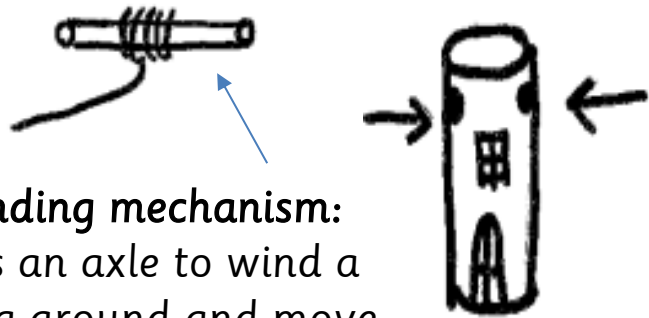
wheels: go round so the vehicle will move



axles: attach to the wheels so they turn at the same time.



lever: the frame on which the vehicle is built



winding mechanism: uses an axle to wind a string around and move a part.

Key Vocabulary:

join: connect things

design: make a plan of what it will look like

mechanism: parts that work together to make something move.

Tools:

hole punch:



paper fastener:



ruler:



Products:

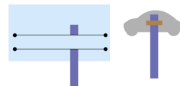


Car with moving wheels



Toy with winding mechanism

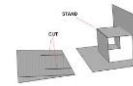
Previous Knowledge – slider



pivot



pop up



lever